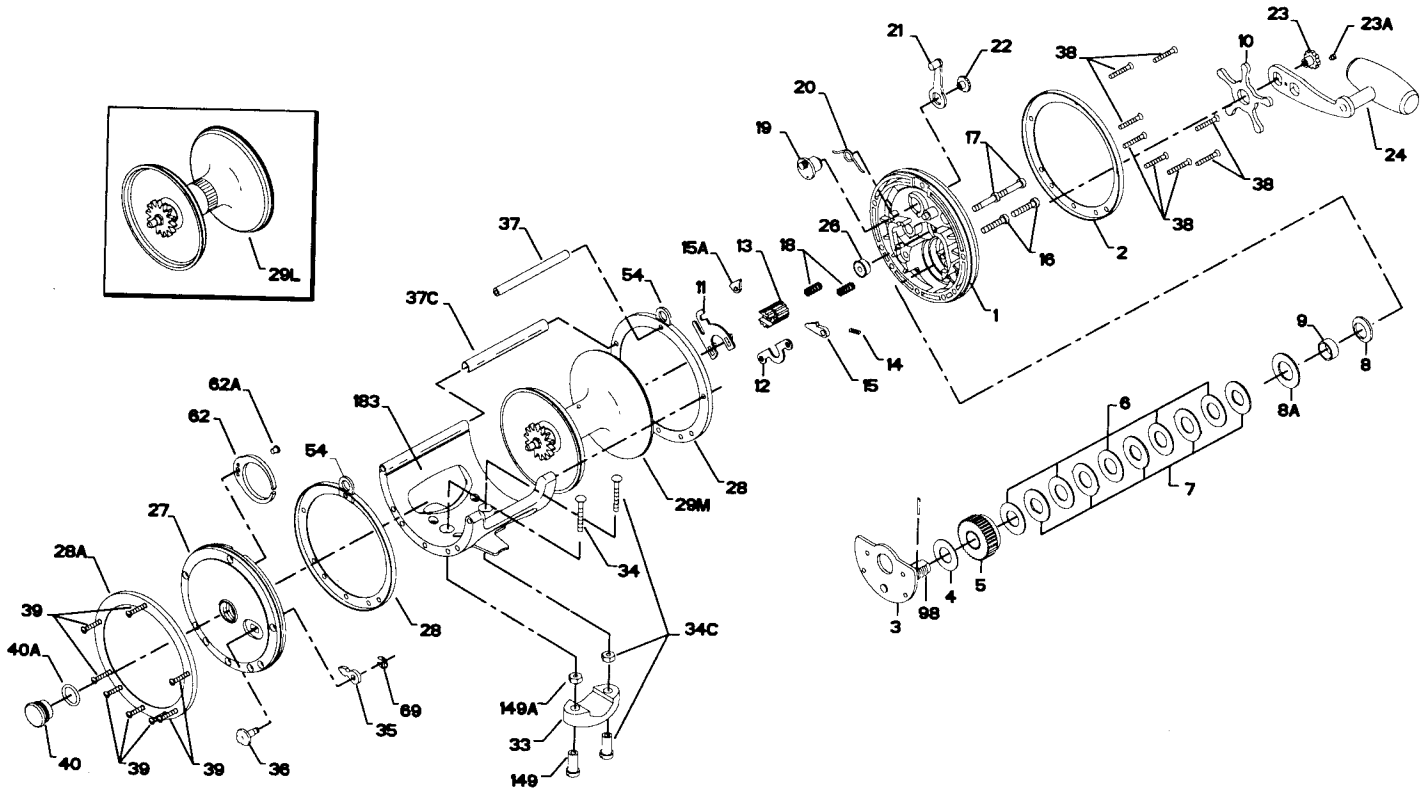




PARTS AND PRICE LIST FOR MODELS 113H, 113HLW AND 113HSP



Key No.	Part No.	Description	Price	Key No.	Part No.	Description	Price
1	1N-113H	Right Side Plate	\$7.90	28	2-113-I	Inner L. S. Side Ring (2 req.)	\$4.55
2	2-113H-O	Outer Right Side Ring	4.55	28A	2-113-O	Outer Left Side Ring	4.55
3	3-113H	Bridge w/Sleeve	8.75	29L	29L-113HL	Spool	46.00
4	4-349	Fiber Washer	.40		29L-113HLW	Spool (HLW)	51.00
5	5-113H	Main Gear	6.35		29M-113H	Spool (HSP)	36.00
6	6-113H	Drag Washer (5 req.)	1.05	33	33-113	Rod Clamp	4.00
7	7C-113H	Metal Drag Washer Set	4.00	*33R-200	*33R-200	Ringed Rod Clamp (Optional)	6.25
8	8-349	Tension Spring (Set of 2)	.90	34	34-45	Clamp Screw (Only)	.90
8A	18-970	Tension Spring	.90	34C	34C-45	Rod Clamp Screw w/Nuts	2.25
9	9-113H	Spacing Sleeve	2.60	35	35-60	Click Tongue	.90
10	10-349	Star Drag Wheel	4.40	36	36-113	Click Button	1.10
11	11-113	Eccentric Jack	1.60	37	37-113	Frame Post	1.75
12	12-60	Pinion Yoke	.90		37-113HLW	Frame Post (HLW)	1.75
13	13-113H	Pinion	3.10	37C	37C-113H	Frame Cover Post	.50
14	14-99	Dog Spring	.40		37C-113HW	Frame Cover Post (HLW)	.50
15	15-113H	Dog	.90	38	39-9	Right Side Screw (8 req.)	.40
15A	15A-113H	Insert	.40	39	39-3	Left Side Screw (8 req.)	.40
16	16-113H	Lower Bridge Screw (2 req.)	.40	40	**40-113HL	Left Side Bearing	11.75
17	17-113H	Upper Bridge Screw (2 req.)	.40	40A	120-113H	Left Side Bearing O-Ring	.50
18	18-60	Clutch Spring (2 req.)	.40	54	54-113	Harness Lug (2 req.)	1.70
19	19-113	Eccentric	2.25	62	62M-309	Click Spring	1.60
20	20-155	Eccentric Spring	.40	62A	31-2.5FR	Click Spring Screw	.55
21	21-66	Eccentric Lever	1.50	69	69B-600	Retaining Ring	.90
22	22-99	Eccentric Screw	1.50	98	98-320	Gear Sleeve	5.00
17	23-114	Handle Screw	2.65	149	149-45	Clamp Nut	.90
23A	110-60	Handle lock Screw	.40	149A	149-200	Hex Nut	.45
24	24-349H	Handle	10.00	183	183-113H	Frame	34.00
26	26-113H	Right Side Bearing	13.50		183-113HLW	Frame (HLW)	36.00
27	27N-113H	Left Side Plate	6.00		183-113HSP	Frame (HSP)	34.00

*Not Shown

**Owners of older 113H, 113HLW reels must order 40-113H